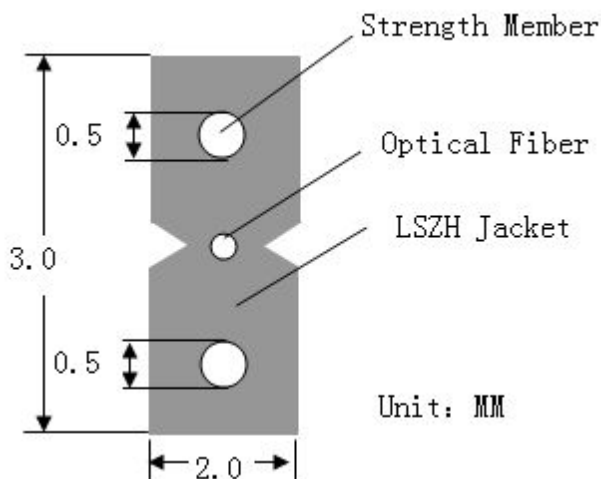


FTTH GJX(F)H Optical Fiber Cable



Mark: Strength member is 0.5mm FRP strength member / **0.4mm Steel wire.**

Structure and specification

Fiber count		1,2,4	
Fiber Model		G.657A1	
FRP / Steel wire	Diameter (± 0.03) mm	0.5 / 0.4	
	NO.	2	
Outer Sheath	Material	LSZH	
	Color	Black	
Cable Diameter (± 0.2) mm		2.0x3.0	
Cable Weight (± 2) kg/km		10.0	
Attenuation	1310nm	dB/km	0.50
	1550nm		0.40
Allowable Tensile Strength	Short Term	N	80
	Long Term		40
Allowable Crush Resistance	Short Term	N/100mm	2200
	Long Term		1000
Min. bending radius	Without Tension		15.0x Cable- ϕ
	Under Maximum Tension		30.0x Cable- ϕ
Temperature range ($^{\circ}$ C)	Installation		-20~+60
	Transport&Storage		-40~+70
	Operation		-40~+70

Fiber colors:

NO.	1	2	3	4
Color	Blue	Orange	Green	Brown